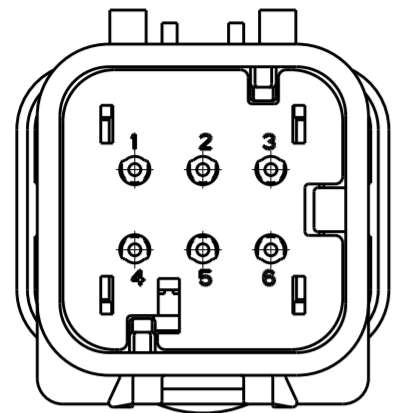
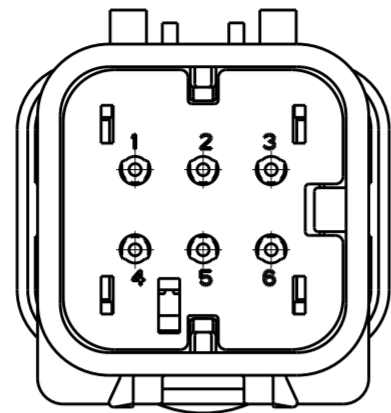


THIS DRAWING IS UNPUBLISHED  
RELEASED FOR PUBLICATION  
COPYRIGHT 20 BY - ALL RIGHTS RESERVED.

REVISIONS					
P	LTR	DESCRIPTION	DATE	DWN	APVD
	C	REVISED PER ECO-13-019168	05DEC2013	DR	RB

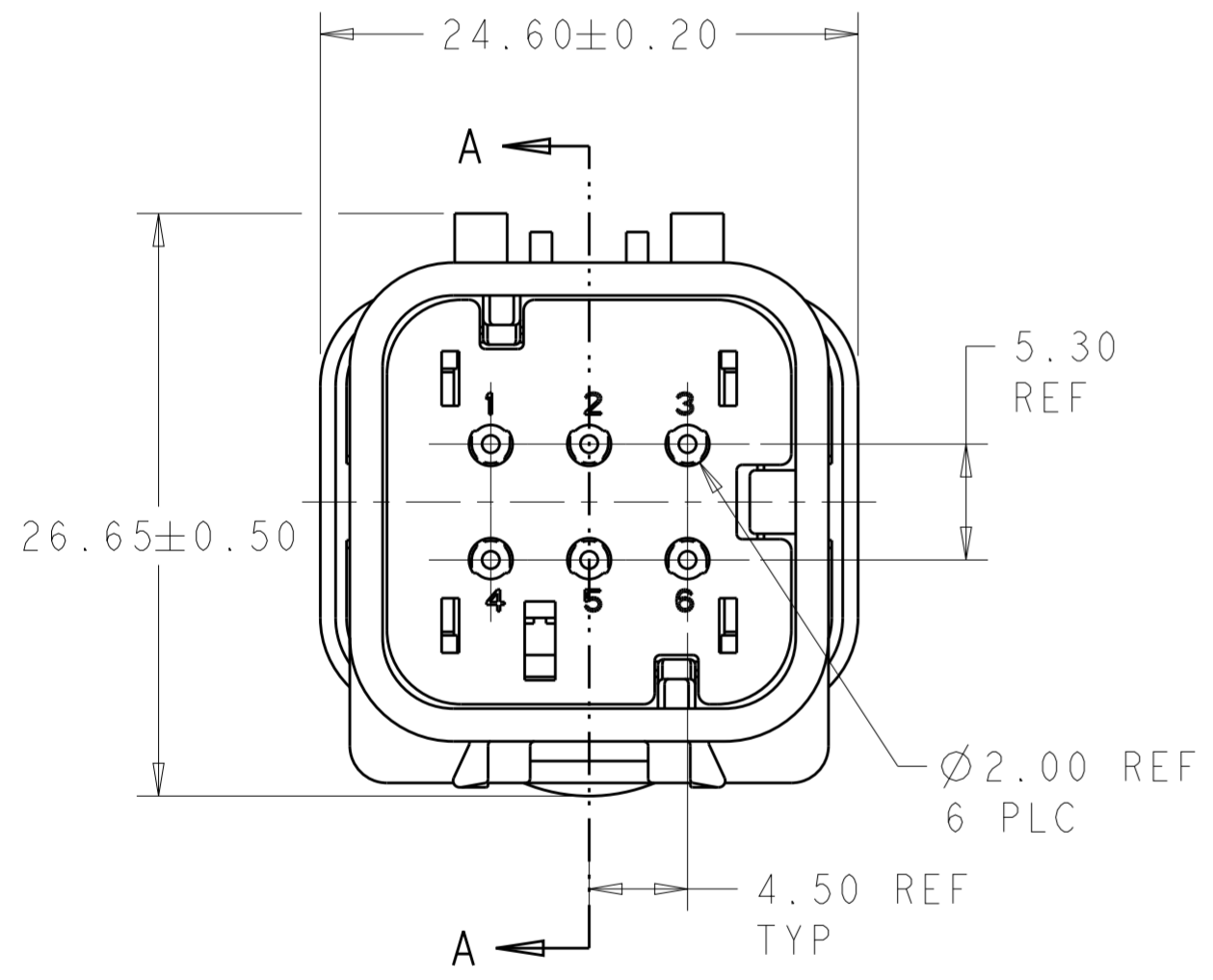


776537-2  
SCALE 2:1

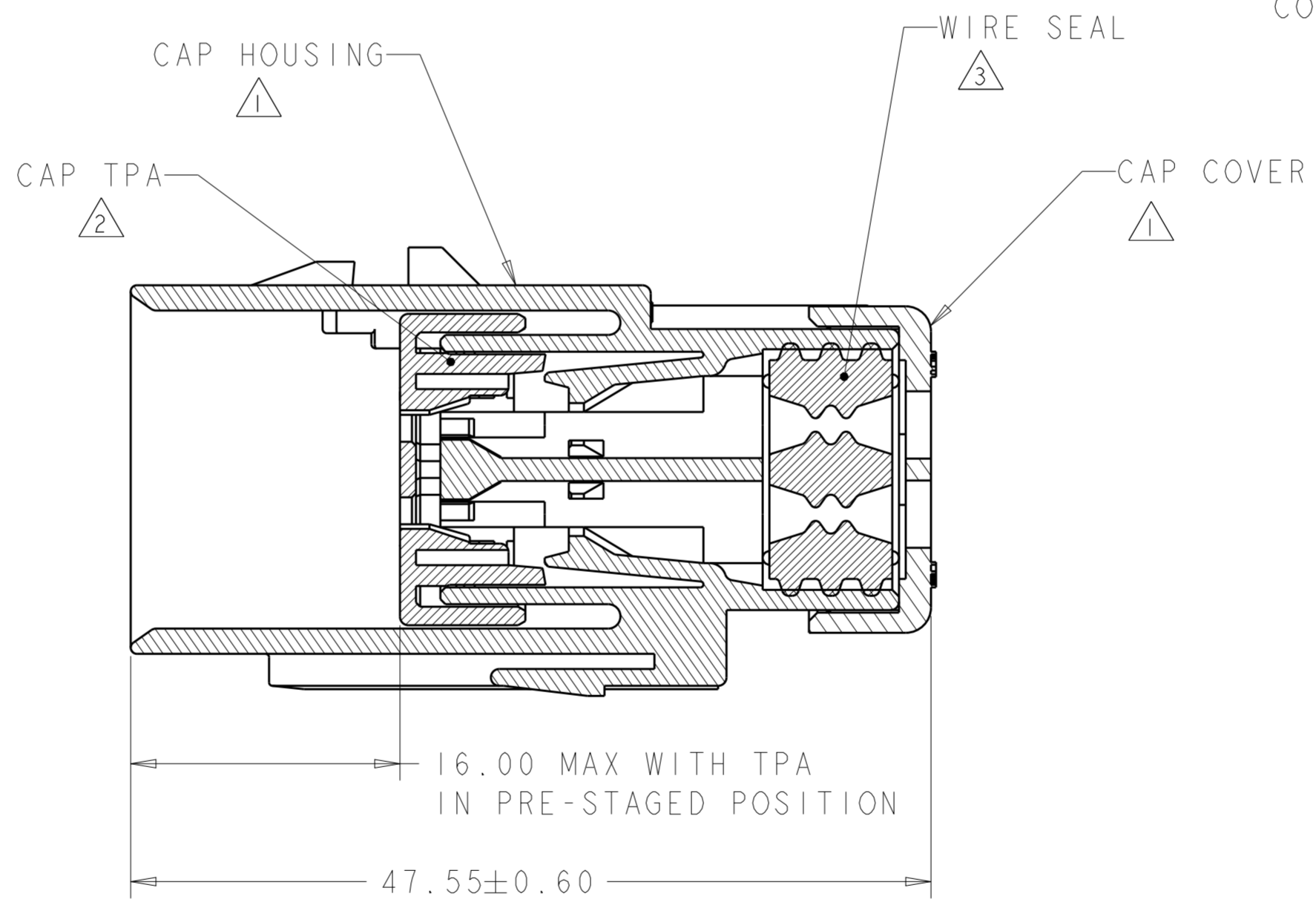


776537-3  
SCALE 2:1

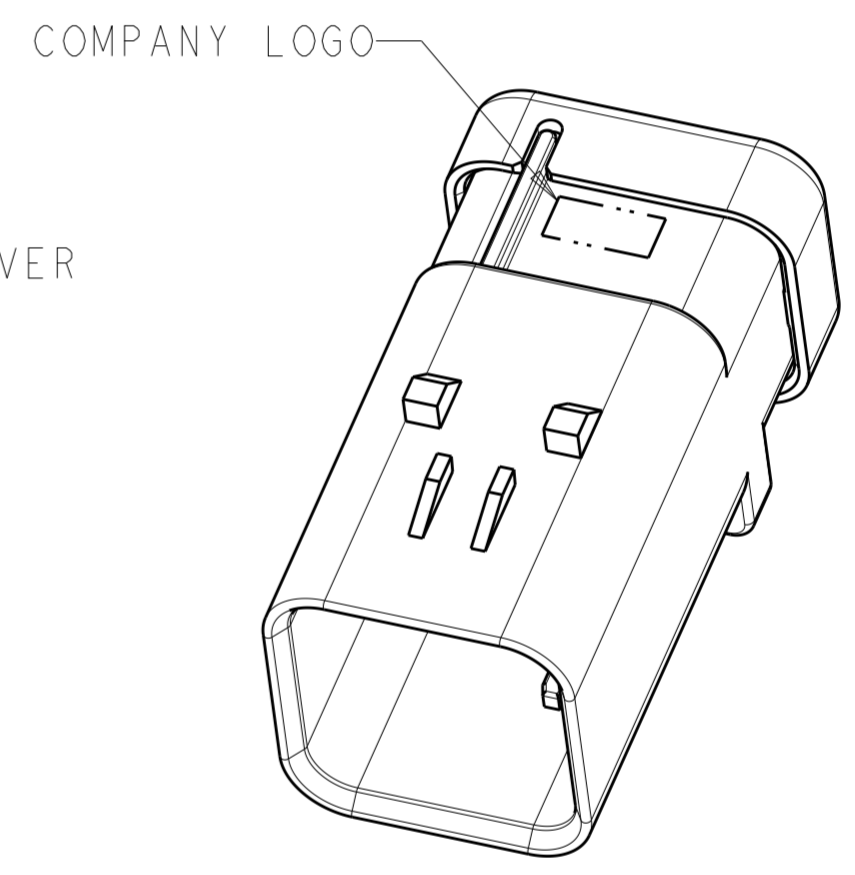
- ① MATERIAL: 15% GLASS FILLED THERMOPLASTIC  
COLOR: BLACK
  - ② MATERIAL: 15% GLASS FILLED THERMOPLASTIC  
COLOR: (SEE TABLE)
  - ③ MATERIAL: SILICONE  
COLOR: LIGHT GRAY
4. RECOMMENDED WIRE DIAMETER RANGE IS 1.30 TO 2.54mm



776537-1 SHOWN



SECTION A-A  
OPEN POSITION



SCALE 2:1

YELLOW	776537-3
GRAY	776537-2
RED	776537-1
TPA COLOR	PART NUMBER

THIS DRAWING IS A CONTROLLED DOCUMENT.		DWN 04SEP2003 W. HOELSCHER	 TE Connectivity	NAME		
DIMENSIONS:		CHK 04SEP2003 J. PATTERSON		CAP ASSEMBLY, 6 POSITION, 2 ROW, AMPSEAL 16 CONNECTOR REDUCED DIA WIRE SEAL		
TOLERANCES UNLESS OTHERWISE SPECIFIED:		APVD 04SEP2003 D. KLEIN		SIZE	CAGE CODE	DRAWING NO
mm	0 PLC ± 1 PLC ± 2 PLC ± 3 PLC ± 4 PLC ± ANGLES ± FINISH	PRODUCT SPEC 108-2184 APPLICATION SPEC 114-13065 WEIGHT 15.5		A200779	C-776537	RESTRICTED TO
MATERIAL	-	Customer Drawing	SCALE 2:1	SHEET 1	REV C	